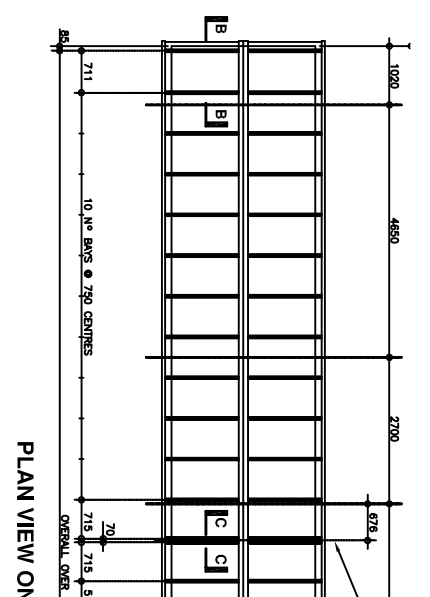
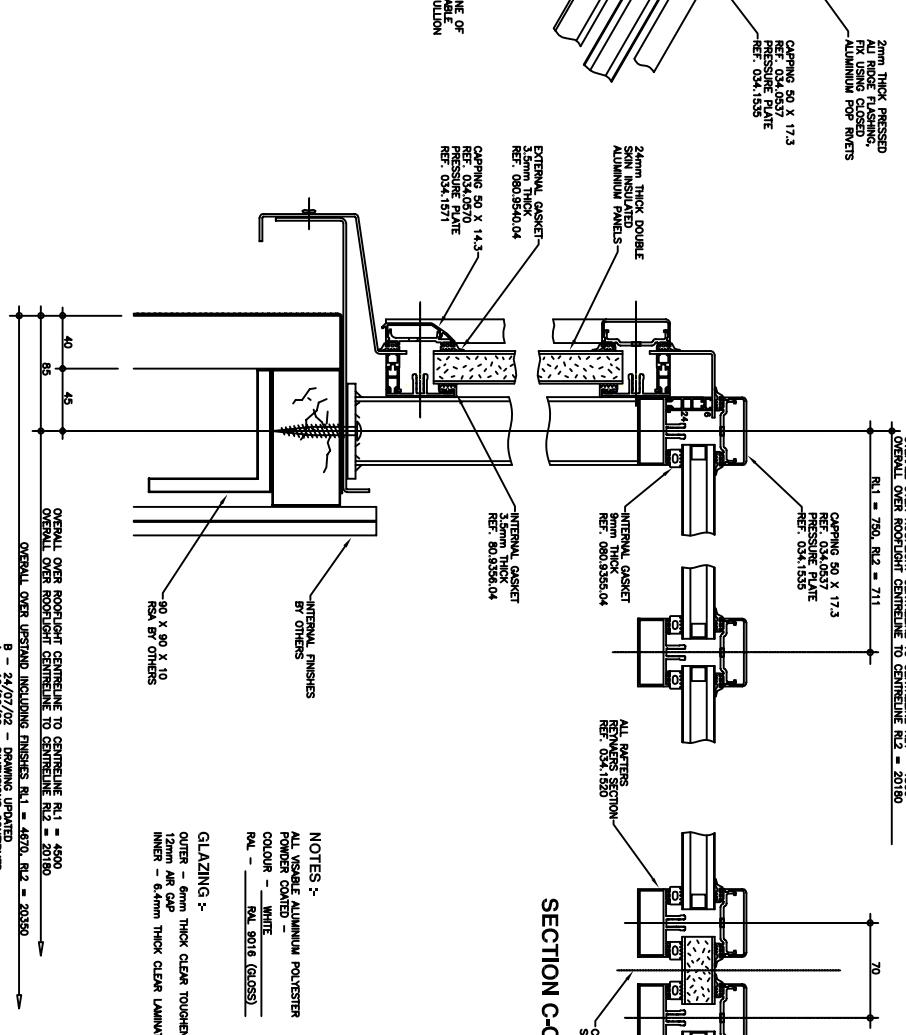
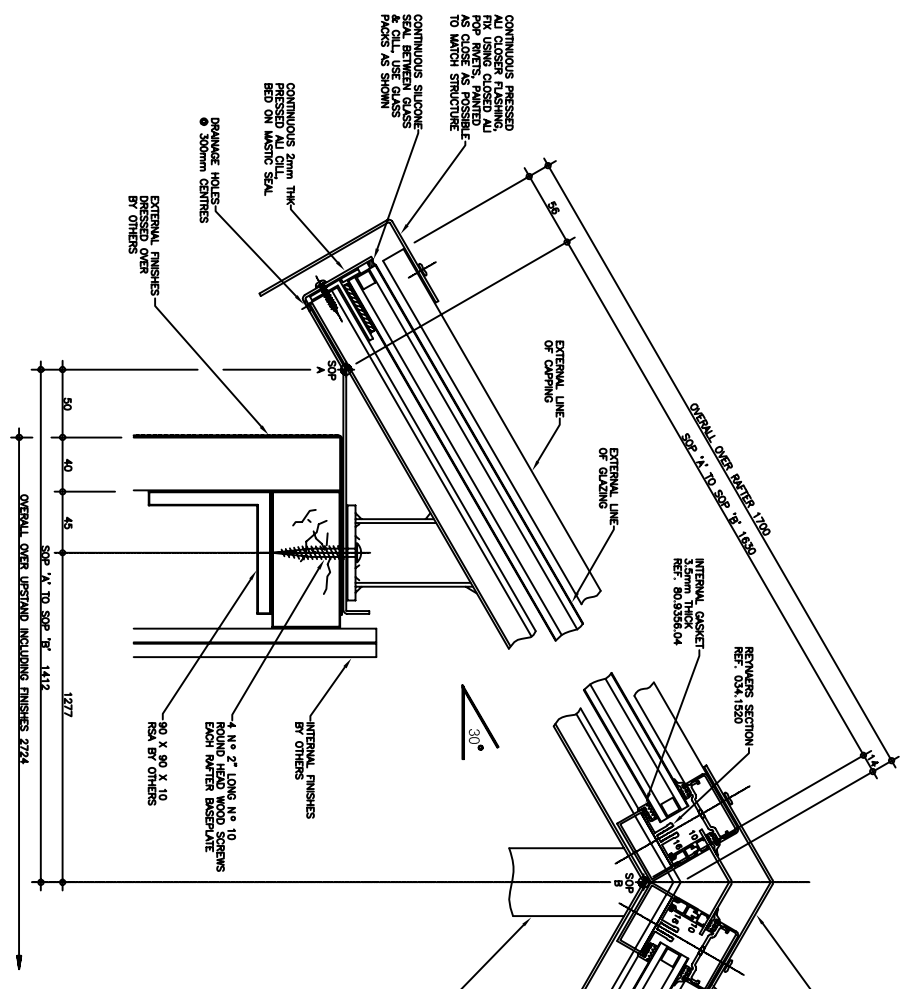
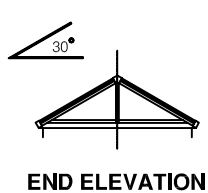
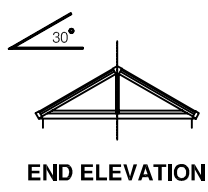


PLAN VIEW ON ROOFLIGHT 1 (RL1)



PLAN VIEW ON ROOFLIGHT 2 (RL2)



NOTES:-
 ALL VISIBLE ALUMINIUM POLYESTER POWDER COATED - WHITE
 RAL - RAL 9016 (GLASS)
 GLAZING:-
 OUTER - 6mm THICK CLEAR TOUGHENED 12mm AIR GAP
 INNER - 6.4mm THICK CLEAR UNTREATED

B - 24/07/02 - DRAWING UPDATED		Client	BALLAST CONSTRUCTION	Dwg No
A - 19/09/02 - DIMENSIONS CORRECTED		Job	RAI NEWCASTLE	Rf/2944/01
Rev	1	Rev	B	Scale
Date	12/09/02	Date	15/01/02	1:50, 1:2

SECTION A-A

SECTION B-B

SECTION C-C