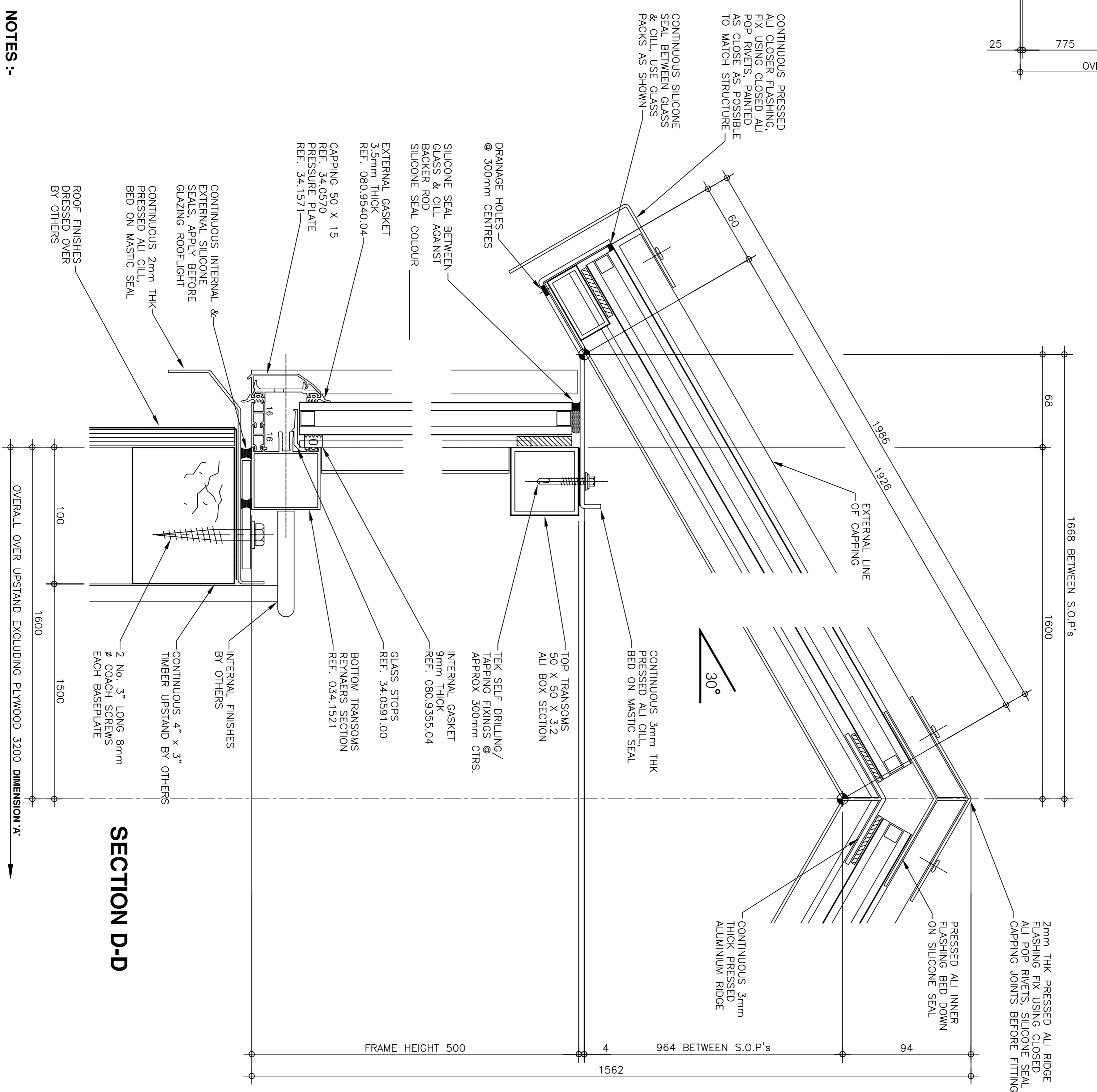
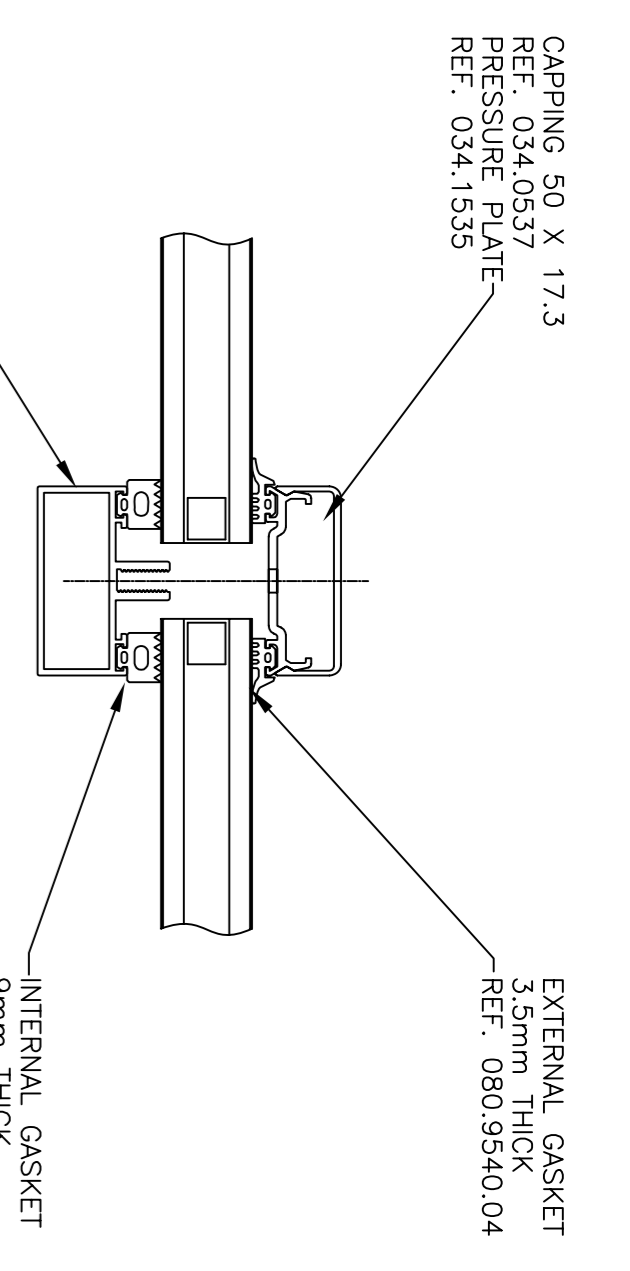
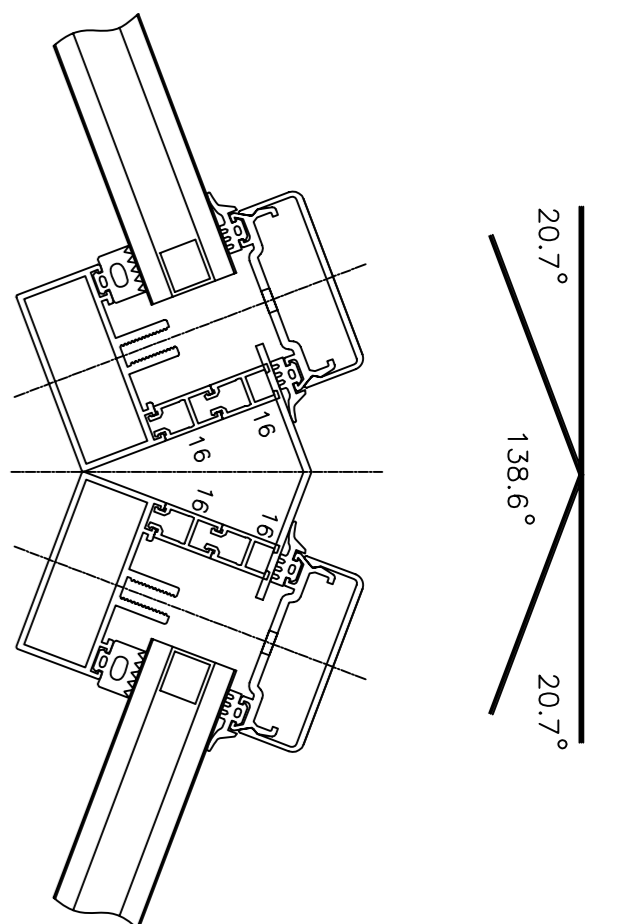


END ELEVATION



- NOTES :-**
- ALL VISIBLE ALUMINIUM POLYESTER POWDER COATED
 - COLOUR -
 - PAL -

- GLAZING :-**
- OUTER - 6mm THICK CLEAR TOUGHENED GLASS
 - 12mm AIR GAP
 - INNER - 6mm THICK CLEAR LAMINATED GLASS LOW 'E'

Client C.S.L CONSTRUCTION		Drng N
Job THE STONEYARD/WILBERNY HOUSE	Rev. (Sheet 1 OF 1)	RL/3547/01
Title ROOFLIGHT DETAILS	Scale	1:25, 1:2
Date 12/05/04		